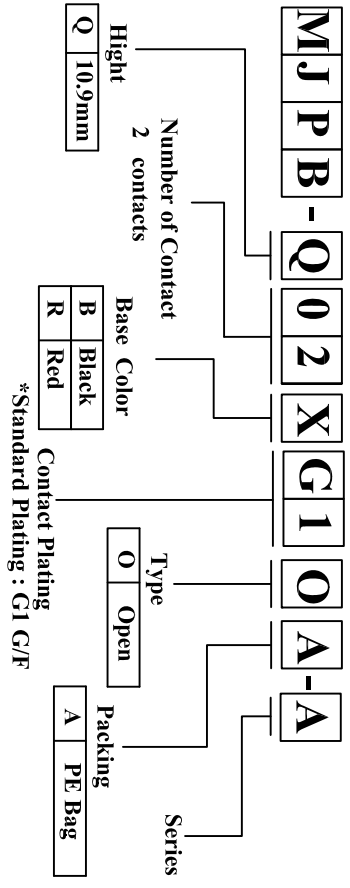
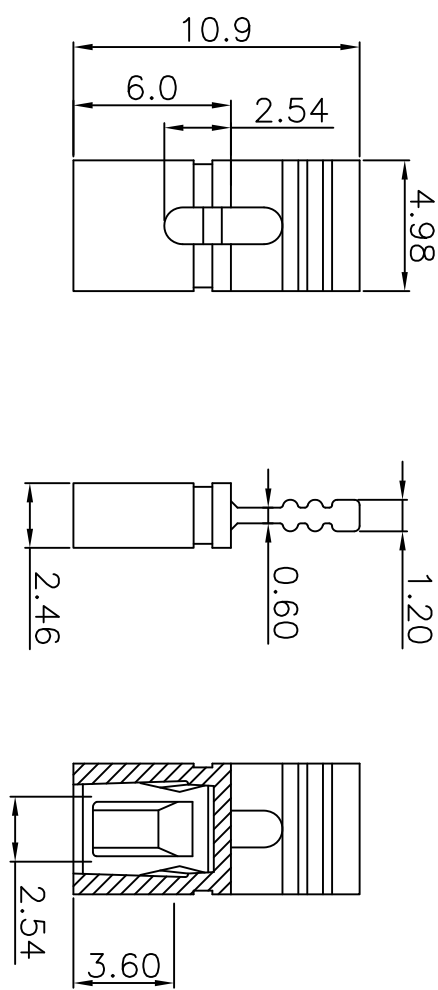


REV.	DESCRIPTION	DATE
A0	New Drawing	2017/02/09

L/TR	Part Name	Material	Description	QTY
1	Housing	NY-66 UL94V-0	Initial : 1000M Ohms Min.	1
2	Contact	Brass	Current Rating : 3.0A Initial : 20m Ohms Max.	1

Temperature Rating : -40°C ~ +105°C.  
Dielectric Withstanding Voltage : 500V AC/Min



ROHS Compliant

竣豪電子股份有限公司  
Superior Tech Co., Ltd.

REV.	UNIT	SCALE	
A0	mm	4:1	

General Tolerance		TITLE	DRAWN		DATE	NO.
X ± 0.5		2.54mm(0.1") Pitch, Mini Jumper,H 10.9加長型	Tom	02-09-17'	T030	
.X ± 0.3			CHECK	DATE	PART NO.	
.XX ± 0.2			APPROVED	DATE	MJPB-Q02XG1OA-A	
.XXX ± 0.1				DATE	CUSTOMER NO.	
角度 ± 5°						