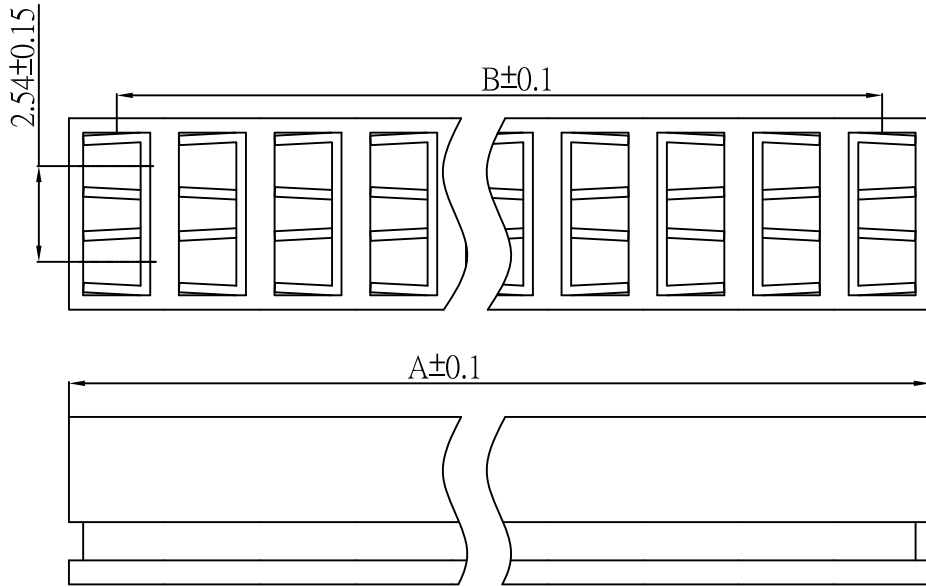
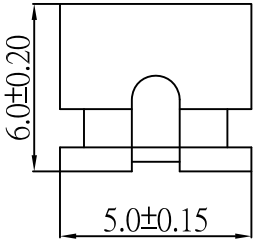


REV.	DESCRIPTION	DATE
A	New Drawing	2013/02/27



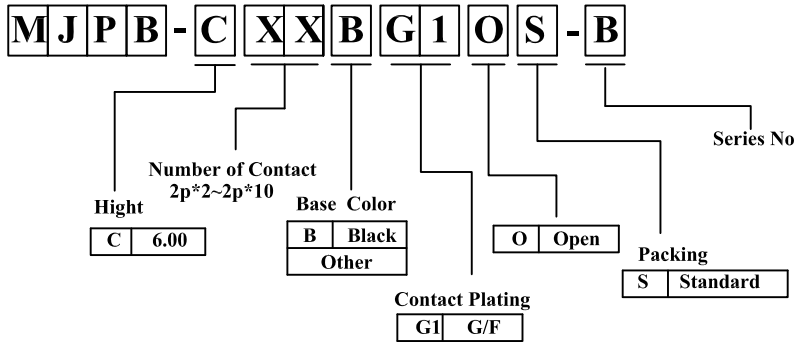
**SPECIFICATIONS:**

- Current Rating: 3Amp
- Insulator Resistance: 5000Megohms min
- Dielectric withstanding: AC 500V
- Operating Temperature:  $-40^{\circ} \sim +105^{\circ}$
- Max Processing Temp:  $160^{\circ}$  for 30~60 seconds
- Contact Material: Brass
- Insulator Material: PBT+30 %G.F UL94V-0
- Plating: Glod Flash
- Color: Black



$A = (\text{NO, OF POSITION PER ROW}) \times 2.54$   
 $B = (\text{NO, OF POSITION PER ROW} - 1) \times 2.54$

UNSPECIFIED TOLERANCE:  $\pm 0.25$



RoHS Compliant

竣豪電子股份有限公司  
**Superior Tech Co., Ltd.**

General Tolerance		TITLE	DESCRIPTION: pitch 2.54 MINI JUMP (开口)	
X.	$\pm 0.5$	DRAWN	DATE	NO.
.X	$\pm 0.3$	YuHongYu	02-27-13'	S025
.XX	$\pm 0.2$	CHECK	DATE	PART NO.
.XXX	$\pm 0.1$	APPROVED	DATE	MJPB-CXXBG1OS-B
角度	$\pm 5^{\circ}$			CUSTOMER NO.

REV.	UNIT	SCALE	
A	mm	1:1	